

MODEL: TDA-20-Cxxxx Series

Product name: LED Driver

Input: 100~277V 50/60HZ ( rating ) 0.3A (max)

Power factor: PF>0.9

90~305V 50/60HZ(Max range)

Output: ○2000mA 10~5V ○1700mA 12~6V ○1400mA 14.5~7V ○1250mA 16~8V /  
 ○1050mA 19~9V ○ 850mA 24~12V ○700mA 29~14V ○ 500mA 40~20V /  
 ○350mA 58~29V ○ 250mA 80~40V ○150mA 134~67V

Protection: Over Voltage, Over Current, Short Circuit

Description:

input cable : UL1015/18AWG/150mm/strip 10mm

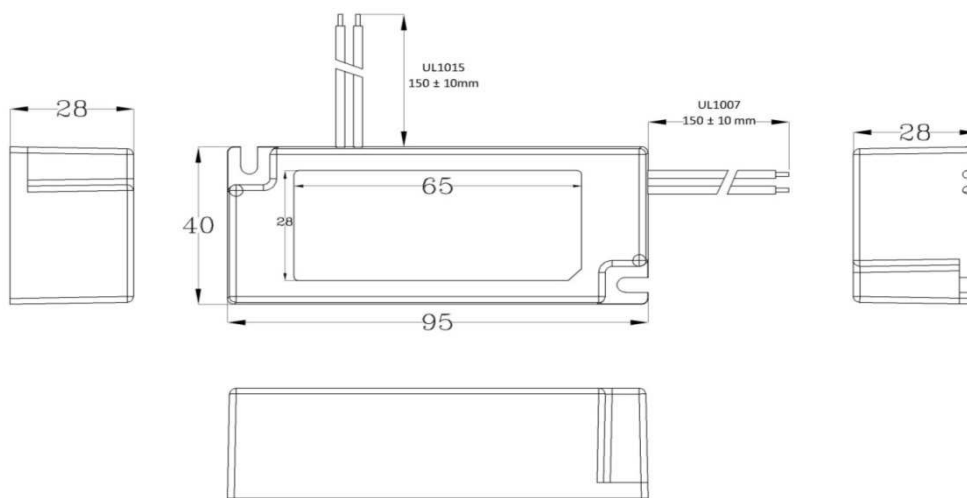
output cable : UL1007/18AWG/150mm/strip 10mm

Dimensions(L\*W\*H) : 95\*40\*28

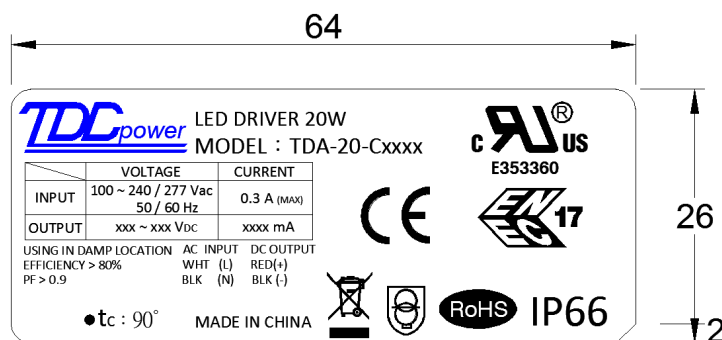
Use for LED lighting and street lighting applications

Safety: UL8750(With UL1310,UL1012) 、 ENEC(EN61347-2-13) 、 EMC(EN55015) 、 CEC Level5 °

Mechanical Drawing



Label



View

